

- Body 77TBU, 77TBL 77TBS**
- Length... 5.2 in (13.2 cm) 4.23 in (10.7 cm)
 - Diameter. 2.25 in (5.7 cm) 2.25 in (5.7 cm)
 - Weight.... 4.25 oz (120 g) 3.5 oz (99 g)

PitotShield V2™ Spec Sheet
 DAT p/n 77TB*4701 (ORANGE RBF)
 DAT p/n 77TB*64 (NAS RED RBF)



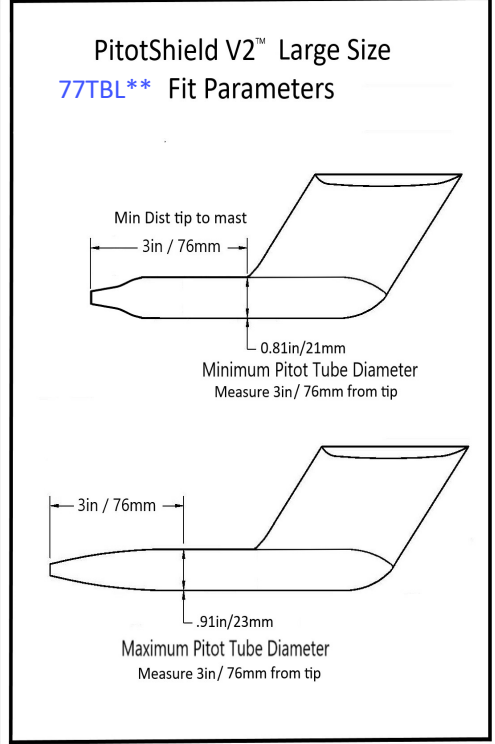
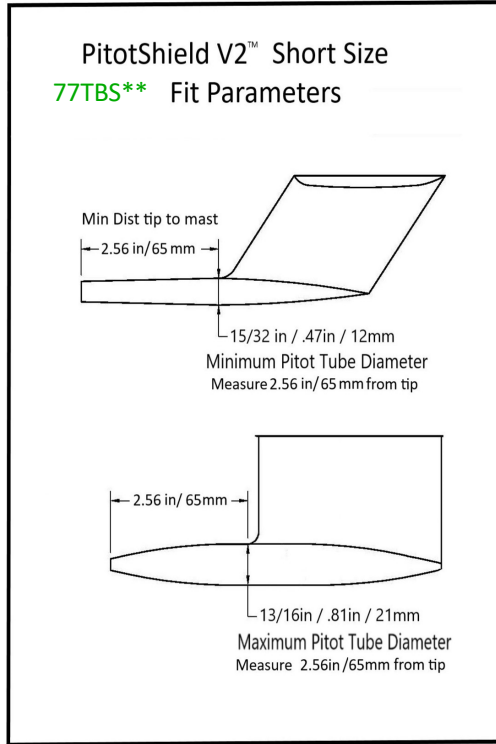
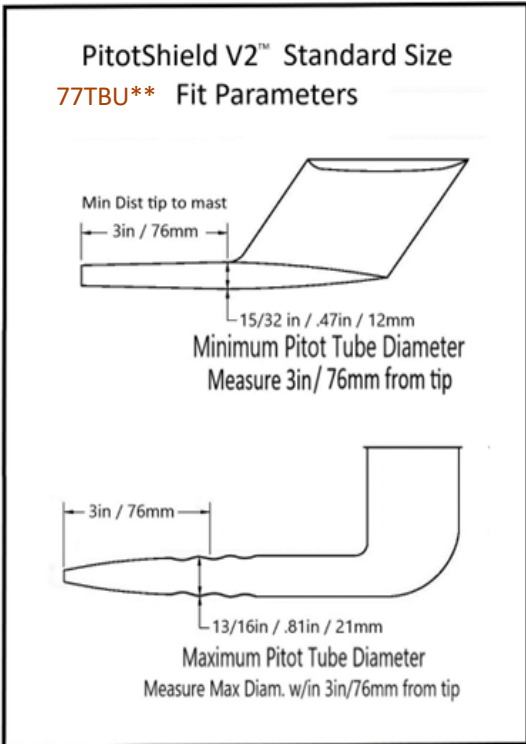
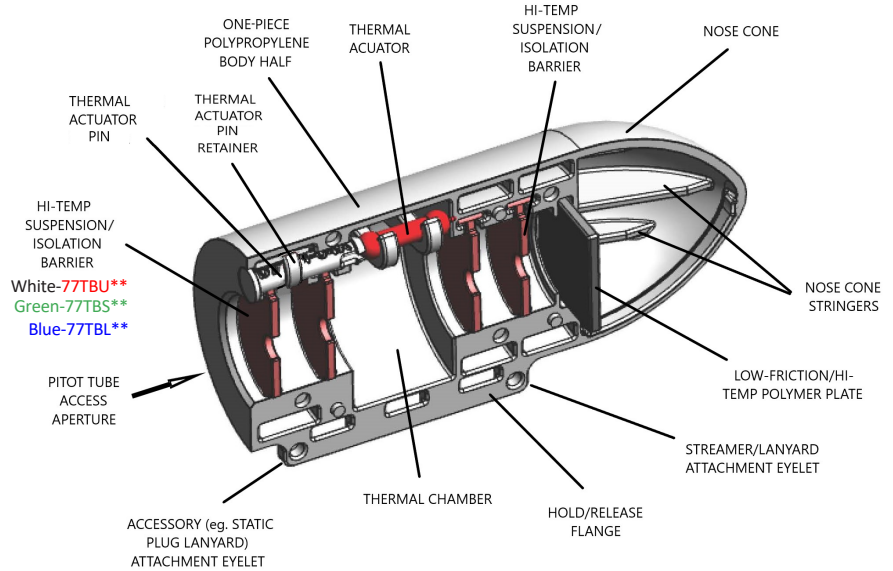
Body Materials - Body Contains NO METAL

- Polypropylene PP1200 (BASF)
- Hi-Temp Silicone Secures Pitot Cover
- PTFE Polymer Protects Tip of Pitot Tube
- Thermo Bulb® Thermally-Activated Release Element: Silica, Water-soluble substituted hydrocarbon, Reactive Temp: 135°F/57°C

RBF Streamer-Upgradable Options

- Red SAE/NAS-DAT P/N 461756-24**
 - 24 in (70 cm) x 3 in (7.6 cm)
 - Brass Grommet/Nylon cord/Al crimp
- Proprietary Hi-Visibility DAT P/N 4701HVS**
 - International Orange
 - Reflective Accent for Night Visibility
 - 18.5 in (47cm) x 2.25 in (5.7cm)
 - Brass Grommet/Nylon cord/Al crimp
- Custom Streamers Available**

Total Assembled Weight w/Streamer:
STD & Large: 4.75oz (135g); **Short:** 4oz (113g)



APPLICATION/FITTING DETAILS

This **Standard-Size PitotShield V2™ Smartcover™** fits nearly all turbine aircraft round pitot tubes. If the tip of the pitot tube is less than 3in/76mm from the mast or the diameter at 3in/76mm from the tip is less than 0.47in/12mm, or the pitot tube diameter within three inches from the tip is greater than 13/16in (21mm), the **Standard PitotShield V2™ Smartcover™** will not fit.

APPLICATION/FITTING DETAILS

This **PitotShield V2™-S (Short) SMARTCOVER™** fits round pitot tubes having a minimum length from the mast of 2.56in / 65mm and a maximum diameter of 0.81in/21mm.

APPLICATION/FITTING DETAILS

This **PitotShield V2™-L (Large) Smartcover™** fits pitot tubes with a minimum length from tip to mast of 3in/76mm and a maximum diameter from .81"/21mm to .91" within 3in (76mm) of the tip.