



NEXT GENERATION PROTECTION

For Your Passengers, Cargo, Fleet, Aircraft, Investment, and Life

PITOTSHIELD V2™ SMARTCOVER™ SAFETY PITOT COVERS SPECIFICATION SHEET (details on reverse)

The pitot tube is arguably the most vulnerable component of the Air Data System of turbine aircraft, and protecting it is a challenge. Pitot covers must be custom fit. Pitot covers must be heat resistant and removed prior to system power-up. Pitot covers must be highly visible. There must be no disincentive for pilots or ground-personnel to cover pitot tubes for fear of them not being uncovered prior to takeoff. For over a century these needs have continued unresolved until now. DeGross Aviation Technologies has developed the PitotShield V2™- the first Safety Pitot Cover that addresses these long-standing issues involving the Air Data System protection.

- Provides the features requested from numerous airlines/MROs.
- Systems Safety Engineered design protects the pitot tube from spiders, wasps, dirt, sand and other contaminants.
- Designed specifically for Turbine/Transport aircraft with automatic pitot tube heat.
- Save estimated \$50,000 to \$500,000 per year in maintenance costs.*
- Will not melt and ruin a hot pitot tube during power-up for maintenance or power-up prior to take-off.
- Disengages and falls away harmlessly after power-up. (Aircraft with auto pitot heat)
- Disengages **BEFORE** the aircraft reaches the taxiway or runway and without pitot tube damage.
- **UNIVERSAL FIT. ONE SIZE** fits nearly all pitot tubes. Additional sizes for special pitot tubes.
- Easily installed/Removed by hand or, for out-of-reach pitot tubes, using our patented install device, eliminating the need for ladders.
- Unique feature: actually tightens up on the pitot tube if disturbed by wind or prop/jet-blast.
- No fabric to wear out and unravel or fibers to shed and contaminate the pitot tube.
- Impervious to solvents, avgas, and jet fuel.
- REMOVE BEFORE FLIGHT (RBF) Streamer Options: Red SAE/NAS Standard or Proprietary High-Visibility International Orange w/Night-Reflective Accent.

* Fleet Airline/IATA Data-due to replacement of burned element/contamination in maintenance of each one hundred aircraft.



Scan For
Active-Release
Videos



Scan For PSV2
Web Page

Specifications on Reverse

WHY PITOTSHIELD V2™ SMARTCOVER™?

- **SMART-PREVENTS FOULED PITOT TUBES IN MAINTENANCE**
Auto-Releases 2 to 5 Minutes after Pitot Heat Activation
- **HEAT-RESISTANT**
Made specifically for auto-heated pitot tubes
- **UNIVERSAL PROTECTION**
One size fits nearly every aircraft
- **THE NEW STANDARD IN PITOT TUBE PROTECTION**



Body 77TBU, 77TBL 77TBS

- Length... 5.2 in (13.2 cm) 4.23 in (10.7 cm)
- Diameter. 2.25 in (5.7 cm) 2.25 in (5.7 cm)
- Weight.... 4.25 oz (120 g) 3.5 oz (99 g)

Body Materials - Body Contains NO METAL

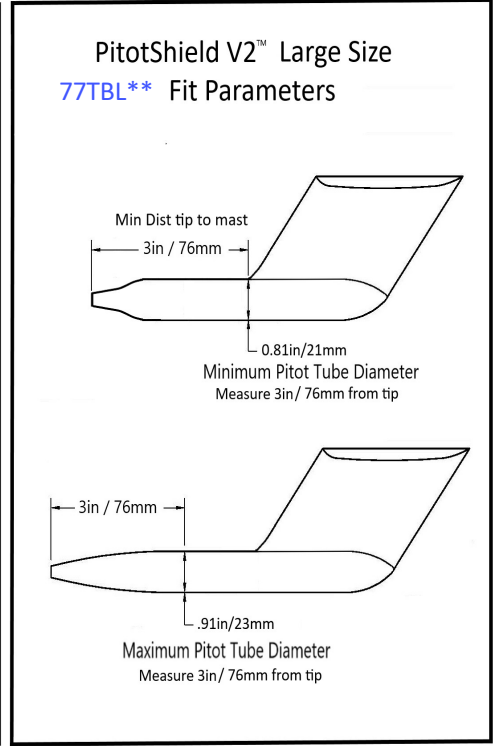
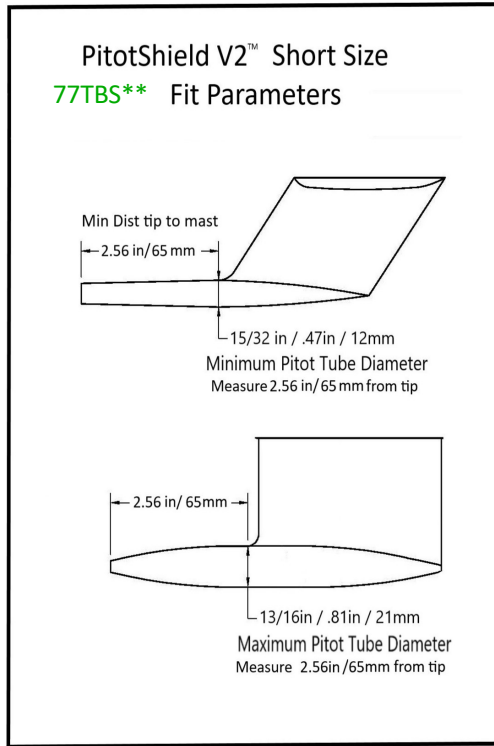
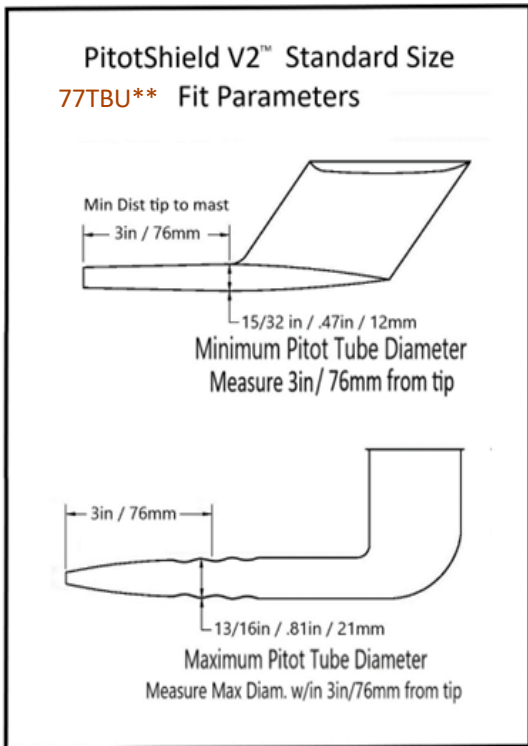
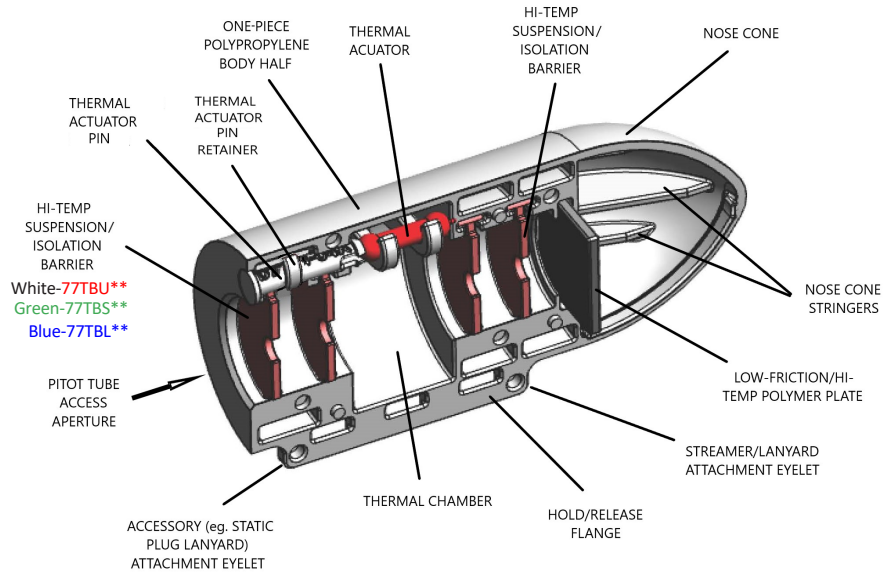
- Polypropylene PP1200 (BASF)
- Hi-Temp Silicone Secures Pitot Cover
- PTFE Polymer Protects Tip of Pitot Tube
- Thermo Bulb® Thermally-Activated Release Element: Silica, Water-soluble substituted hydrocarbon, Reactive Temp: 135°F/57°C

RBF Streamer-Upgradable Options

- **Red SAE/NAS-DAT P/N 461756-24**
 - 24 in (70 cm) x 3 in (7.6 cm)
 - Brass Grommet/Nylon cord/Al crimp
- **Proprietary Hi-Visibility DAT P/N 4701HVS**
 - International Orange
 - Reflective Accent for Night Visibility
 - 18.5 in (47cm) x 2.25 in (5.7cm)
 - Brass Grommet/Nylon cord/Al crimp
- **Custom Streamers Available**

Total Assembled Weight w/Streamer:
STD/Large: 4.75oz (135g); **Short:** 4oz (113g)

PitotShield V2™ Spec Sheet
 DAT p/n 77TB*4701 (ORANGE RBF)
 DAT p/n 77TB*64 (NAS RED RBF)



APPLICATION/FITTING DETAILS

This **Standard-Size PitotShield V2™ Smartcover™** fits nearly all turbine aircraft round pitot tubes. If the tip of the pitot tube is less than 3in/76mm from the mast or the diameter at 3in/76mm from the tip is less than 0.47in/12mm, or the pitot tube diameter within three inches from the tip is greater than 13/16in (21mm), the **Standard PitotShield V2™ Smartcover™** will not fit.

APPLICATION/FITTING DETAILS

This **PitotShield V2™-S (Short) SMARTCOVER™** fits round pitot tubes having a minimum length from the mast of 2.56in / 65mm and a maximum diameter of 0.81in/21mm.

APPLICATION/FITTING DETAILS

This **PitotShield V2™-L (Large) Smartcover™** fits pitot tubes with a minimum length from tip to mast of 3in/76mm and a maximum diameter from .81"/21mm to .91" within 3in (76mm) of the tip.